

PORTABLE TACTICAL SOLAR POWER

The Merlin Power Systems Solar Tracker® is a portable, quickly deployed power generating source that maximizes power output by automatically waking up at sunrise, acquiring and tracking the sun for maximum power output throughout the solar cycle.

Merlin Power Systems Solar Tracker is portable and can be shipped or carried in two cases (provided) weighing less than 100 pounds each.

It uses impact-resistant, foldable solar panels capable of producing energy at greater than 20% efficiency (equal to the best glass panels).

MAXIMUM USABLE ENERGY PER SOLAR CYCLE

The Solar Tracker incorporates Maximum Power Point Tracking (MPPT) and provides 33 - 45% more usable energy (per sun cycle) than fixed arrays.

It automatically maintains a perfect 90° angle with the sun from “wake-up” at sunrise to sunset.

TOOL-FREE, RAPID DEPLOYMENT

The entire unit requires no tools to be easily deployed and operational in approximately 10 minutes. Once operational, it produces up to 600 W of usable output power (two 12 VDC power sockets or 24 VDC binding posts).

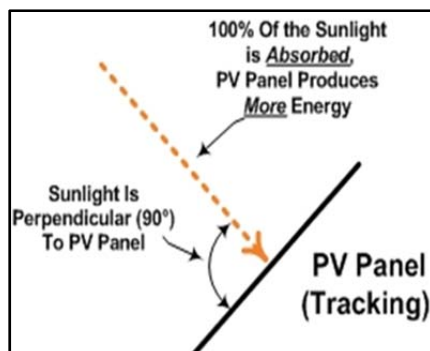
SOLAR PANEL PROTECTION IN HIGH WIND

To protect the solar panels in high wind conditions (≥ 40 MPH) the Solar Tracker provides a “self-park” feature that positions the solar panels parallel to the wind so they will not be damaged.

MAINTAINS ANGLE TO ABSORB 100% OF SUNLIGHT

The Solar Tracker maintains the collection angle to the sun throughout the solar cycle.

This translates into 33% - 45% more usable energy produced per solar cycle than fixed arrays.



The Solar Tracker uses patented Dual Axis Rotary Tracking Technology



CHARACTERISTICS

Usable Output:

Two (2) 12 VDC outputs at 15 A each
One (1) 24 VDC output at 25 A
Up to 600 W total

More Usable Energy than Fixed Arrays:

Collection angle to sun maintained throughout the solar cycle to produce 33% - 45% more usable energy produced per sun cycle than fixed arrays

Tracking Technology:

Patented Dual Axis Rotary Tracking Technology
Maximum Power Point Tracking (MPPT)

Weight:

<200 lbs.

Rapid Deployment:

Assembled and operational in approx 10 minutes

Deployment on a Grade:

Can be deployed on a grade up to 10°

High Wind Solar Panel Protection:

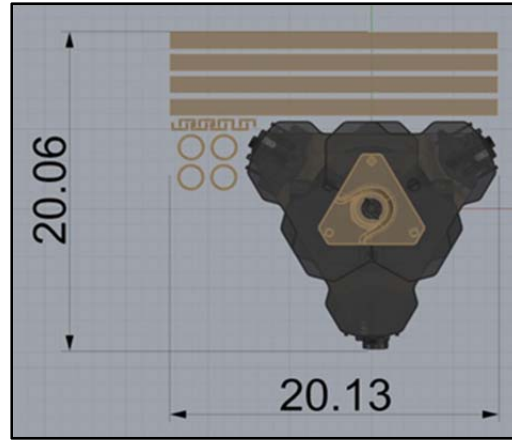
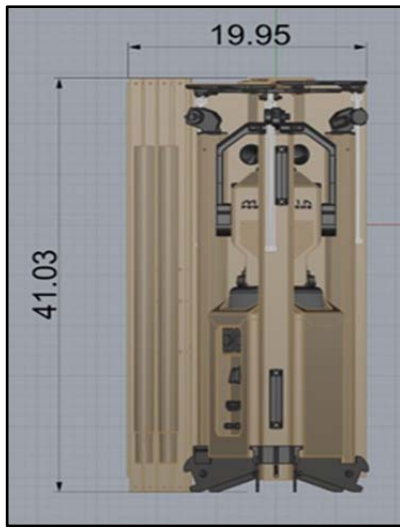
“Self-Park” (parallel to wind) at ≥ 40 MPH

Automatic Wake-Up at Sunrise:

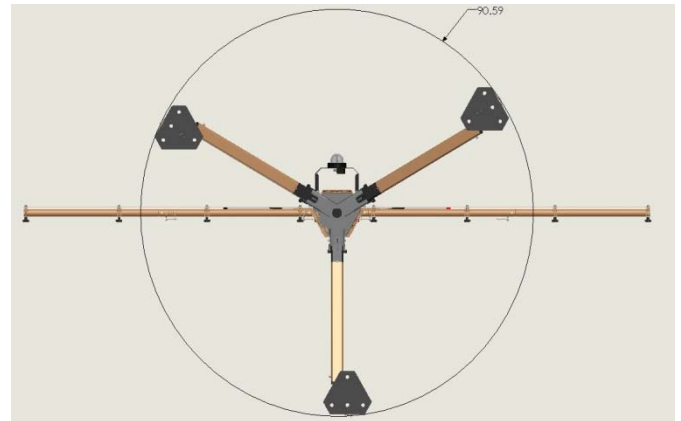
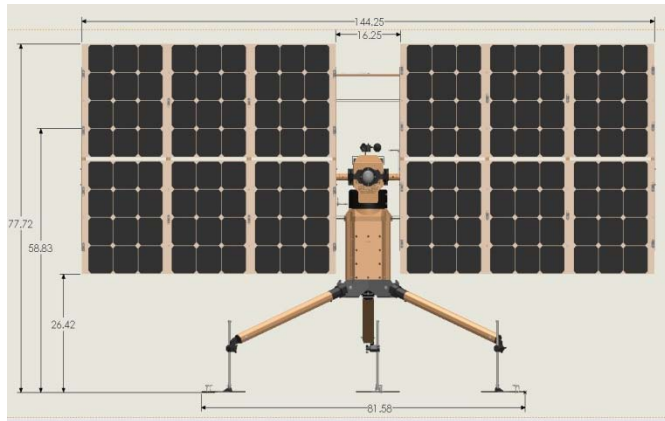
“Seeks” optimal collection angle upon sunlight contact

OUTLINE/INSTALLATION DRAWING

STORED



DEPLOYED



DEPLOYED ON A GRADE (UP TO 10°)

